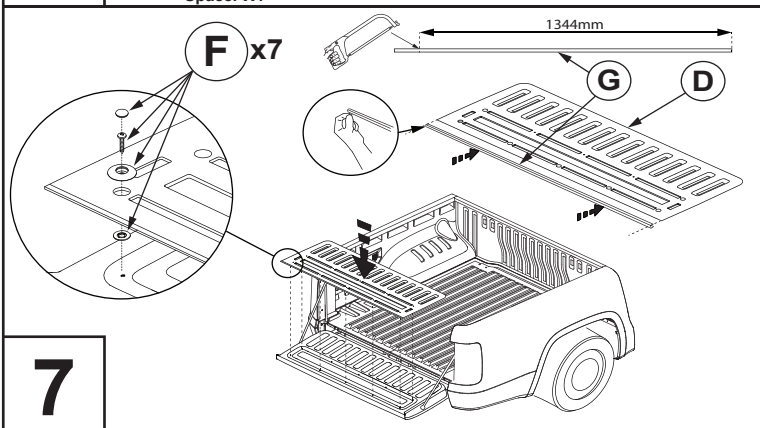
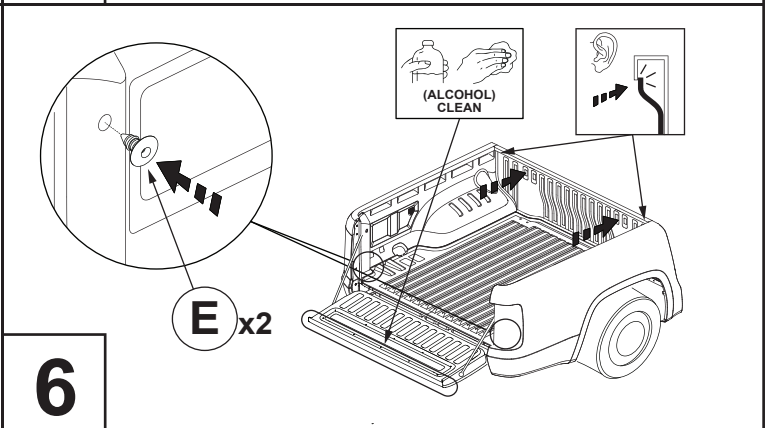
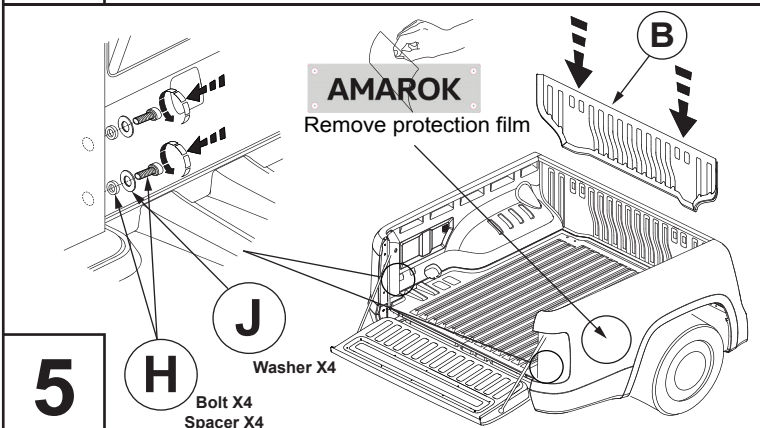
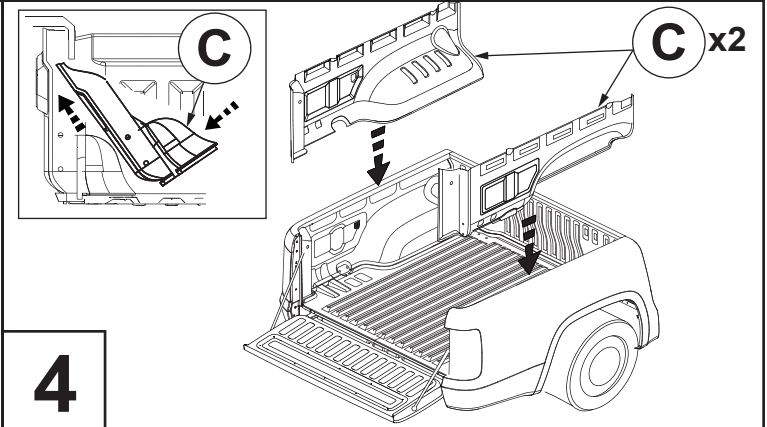
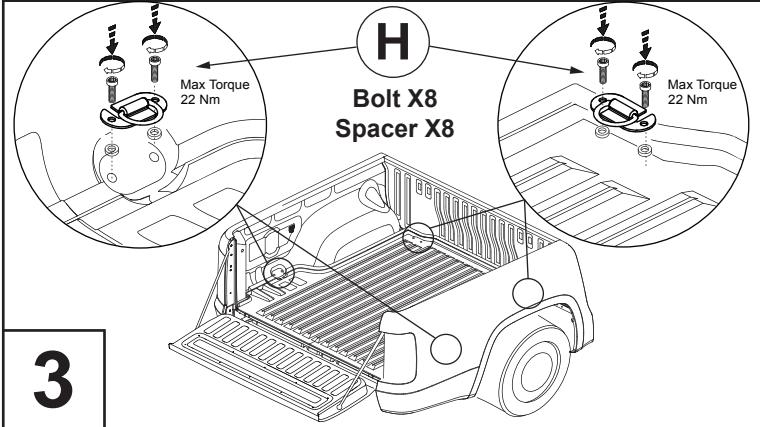
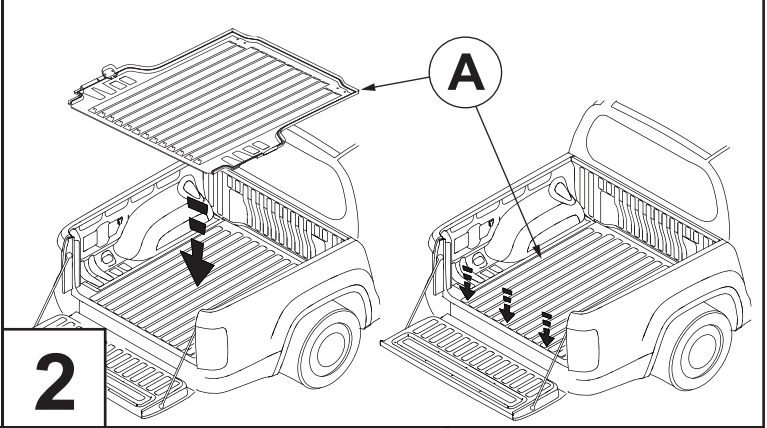
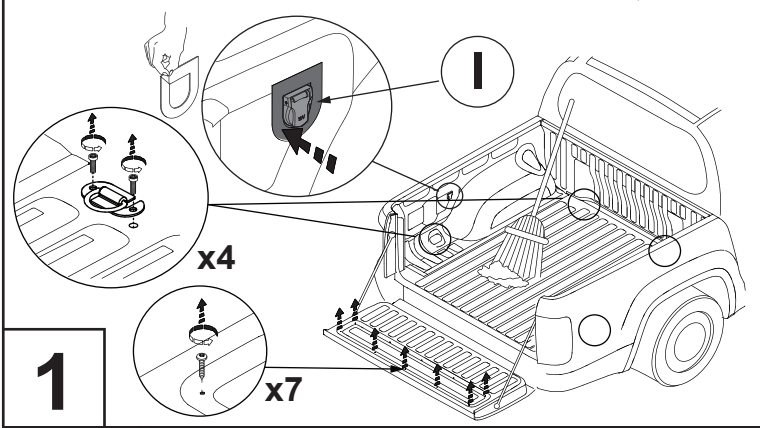




INSTALLATION INSTRUCTIONS (K711) SPORTGUARD VOLKSWAGEN AMAROK DC 2010

A 	B 	C 	D 	E 	F 	G 	H 	I 	J 		
--------------	--------------	--------------	--------------	--------------	--------------	--------------	--------------	--------------	--------------	--	--



Fitting Kit Number K711	Manufacturer Volkswagen	Model Type Amarok	Year 2010	Stockist General	Cab Size DC	Product SPORTGUARD	Revision 5	Date 04/07/19	Page 1 of 1
----------------------------	----------------------------	----------------------	--------------	---------------------	----------------	-----------------------	---------------	------------------	----------------